
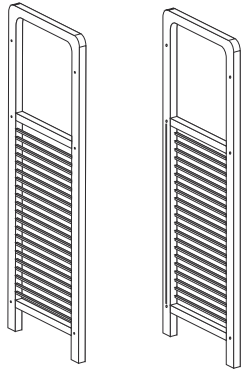
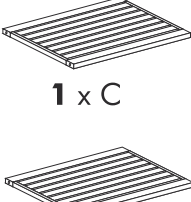
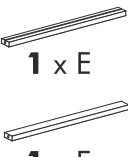
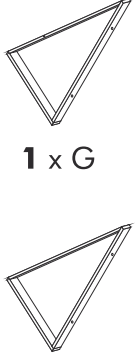
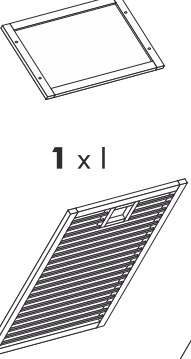
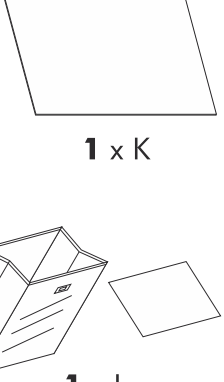





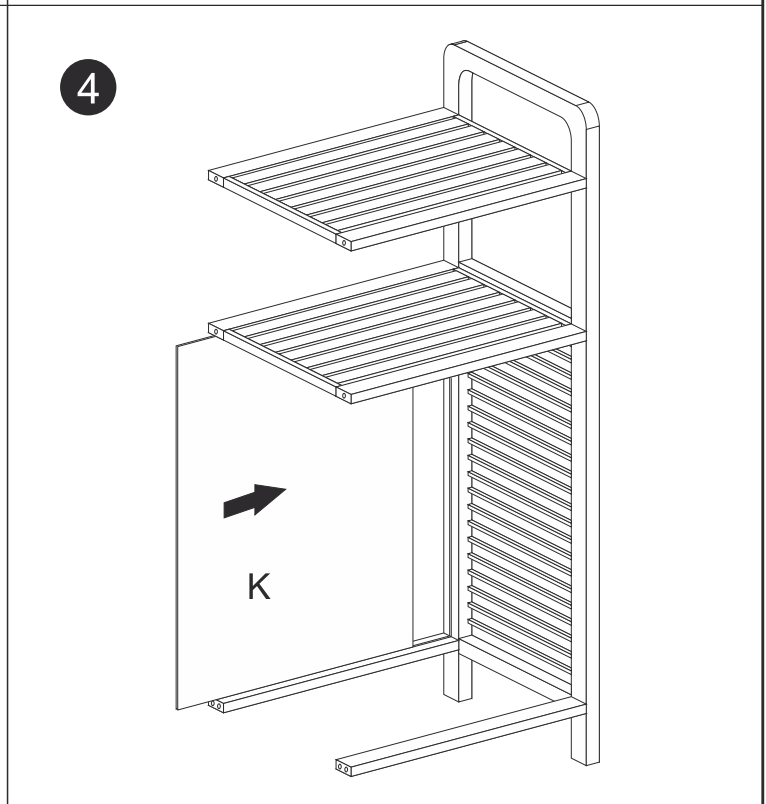
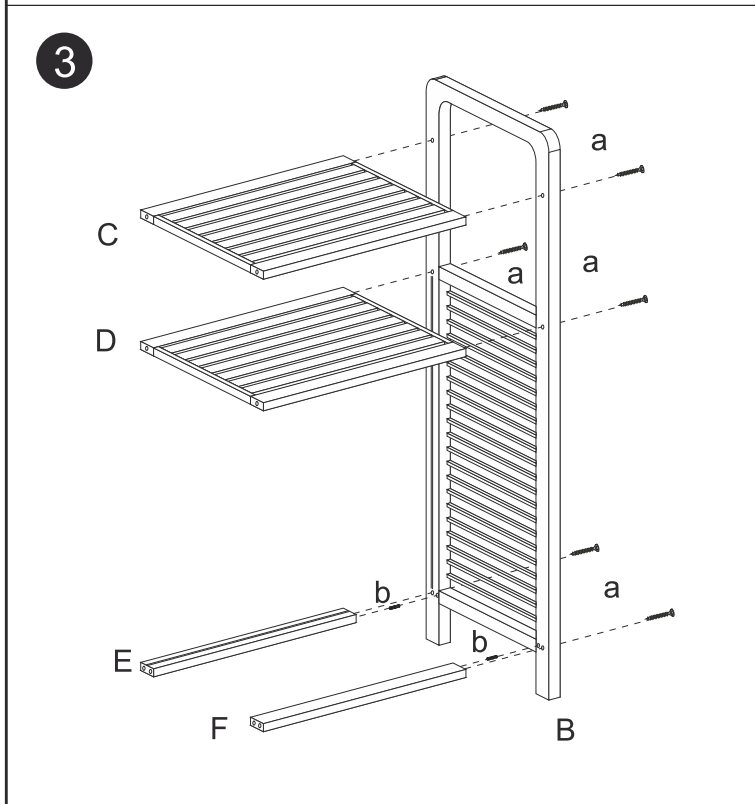
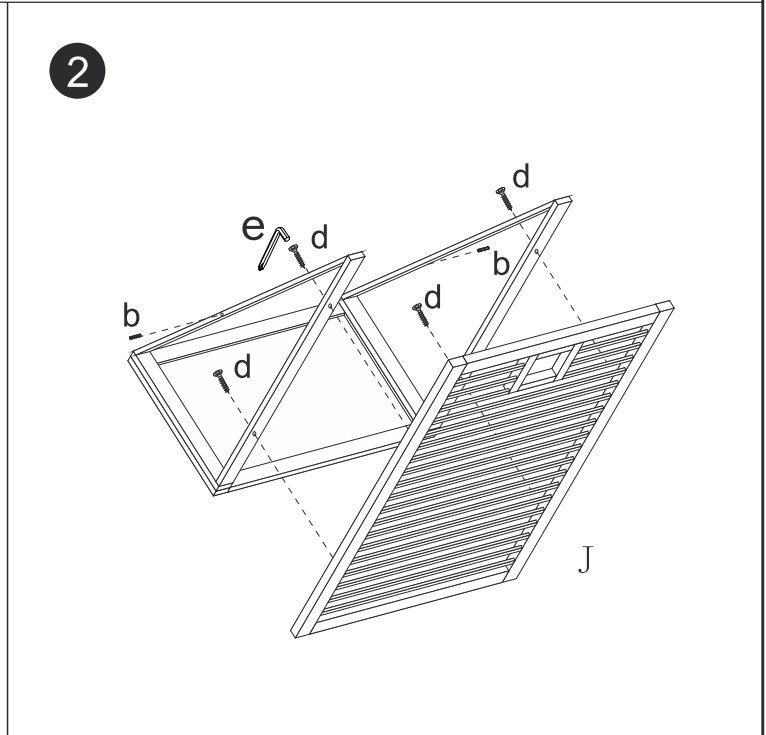
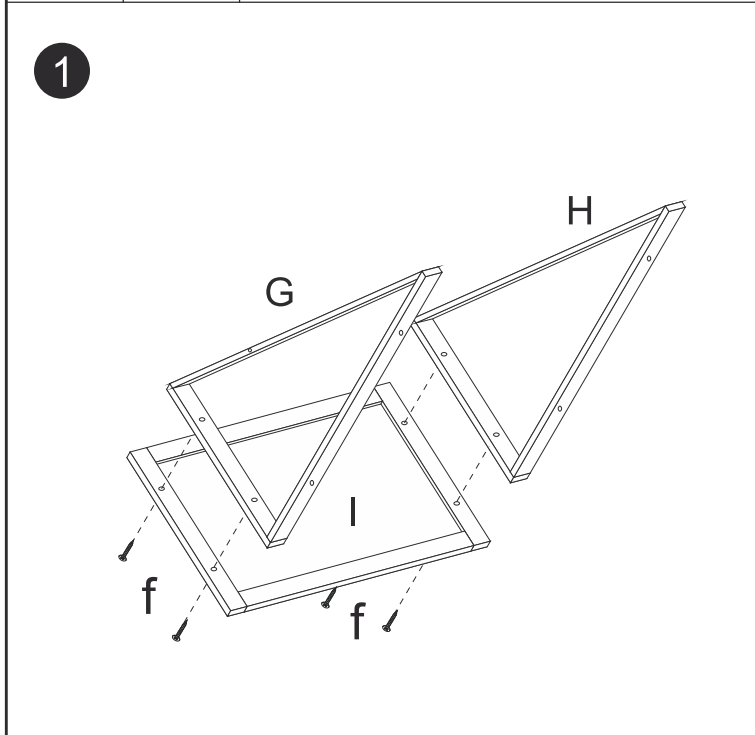
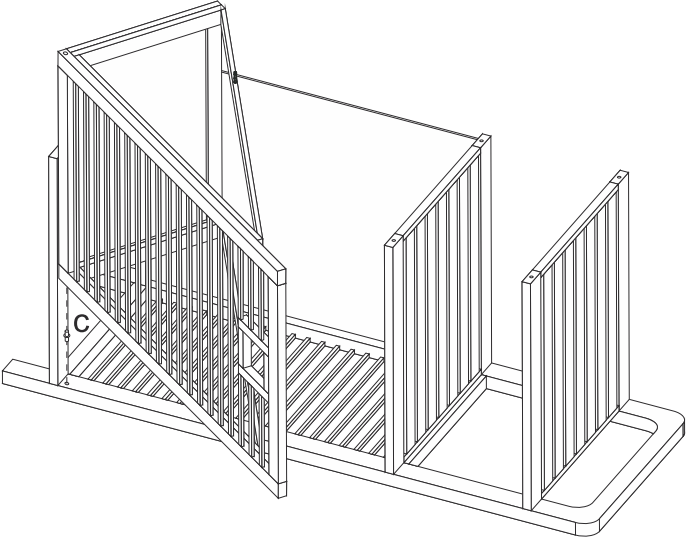


KERI

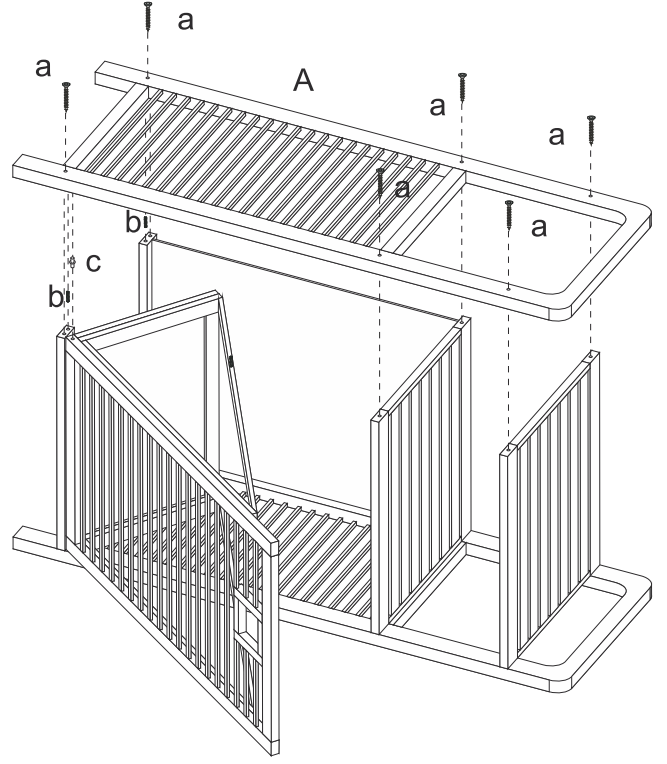
	12 x a	 1 x A 1 x B	 1 x C 1 x D	 1 x E 1 x F	 1 x G 1 x H	 1 x I 1 x J	 1 x K 1 x L
	6 x b						
	2 x c						
	4 x d						
	1 x e						
	4 x f						



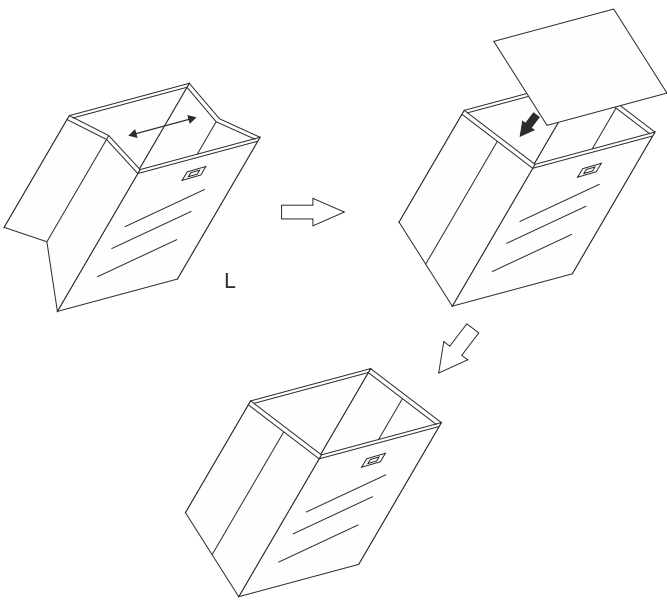
5



6



7



8

